



Britain's Original Stairlift





Britain's Original Stairlift

Why should you let getting up and down the stairs stop you from having a fully independent lifestyle? With a tailor-made Brooks Stairlift, you can stay in your home, and continue to enjoy your independence.

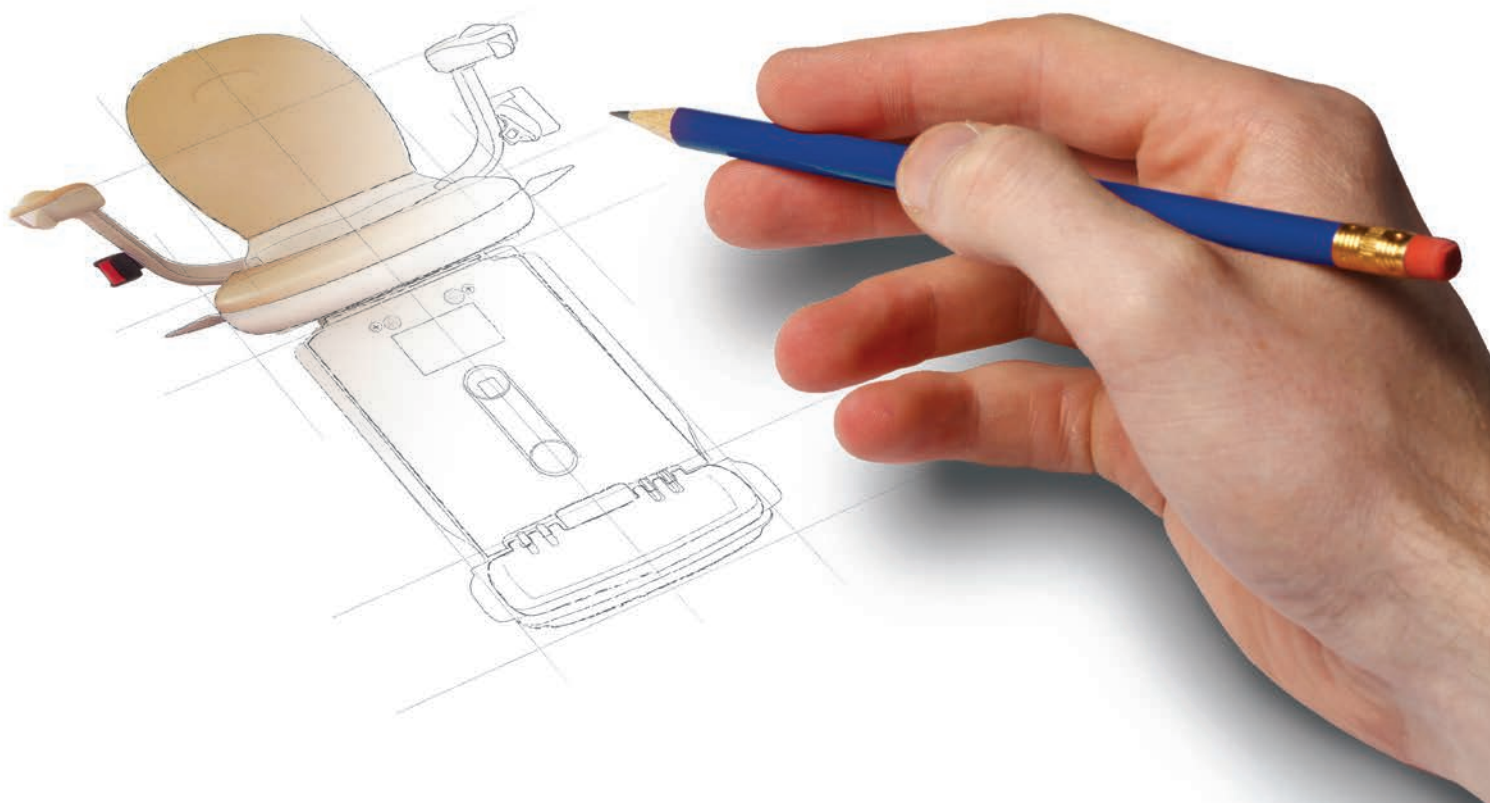
In 1972, Mr Frederick Brooks, a former engineer, designed a stairlift for his wife who suffered from rheumatoid arthritis, and subsequently found using the stairs difficult.

This 'original' stairlift attracted much attention due to its design and high standards of engineering, and over forty years later Brooks Stairlifts are still following these high standards set by Frederick Brooks. Combining today's technology with a strong tradition of reliability and comfort, each and every Brooks Stairlift is guaranteed to help you make the most of your home.

Brooks Stairlifts are designed to suit your individual home and lifestyle, and are engineered with a range of features that make them simple to use. Through innovation and investment, Brooks have always delivered products with the customer in mind, aiming to provide the perfect solution for your needs.

BROOKS
STAIRLIFTS

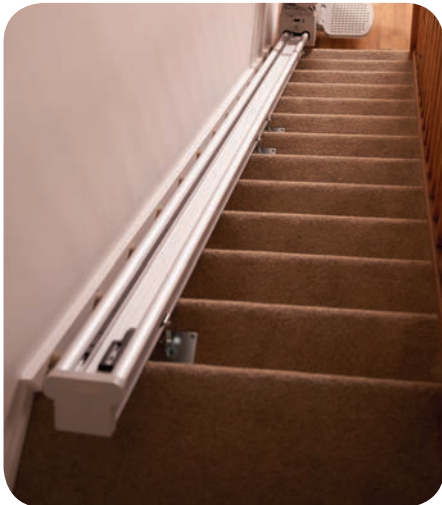
*Stay in your home and continue
to enjoy your independence
with Britain's Original Stairlift*





Brooks Stairlifts blend seamlessly into your home, and the smooth start and stop mechanism allows you to glide effortlessly up and down the stairs.

The unique rail system means a Brooks Stairlift can be fitted to all types of staircase, and what's more, it can be done within a matter of days rather than weeks.



Straight rail



Curved rail

What kind of staircase do you have?

Because every staircase is different, Brooks Stairlifts have been developed to be highly adaptable. Whatever type of staircase you have in your home - straight or curved - a Brooks lift can provide the perfect solution for your needs.

The Brooks Straight Stairlift

The simplest solution for a straight staircase, the Brooks Straight Stairlift uses a single rail attached to your staircase.

Its unique slimline design ensures that there is plenty of space left for other members of the family to use the stairs.



The Brooks Curved Stairlift

If your staircase has turns, intermediate landings or limited space at the top or bottom, it may be necessary for a curved stairlift to be fitted.

Using a unique modular system, accurate measurements enable us to tailor-make a stairlift rail which closely follows the contour of your staircase, in days – not weeks.



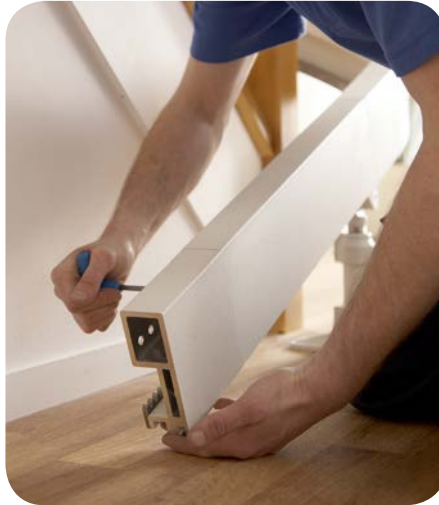


All Brooks Stairlifts are designed to fold up giving other people safe access to the staircase when the lift is not in use.

Brooks Stairlifts are designed with simple and effortless operation, ease of use and comfort in mind



Brooks Stairlifts are installed by fully trained engineers, who double check every feature to give you peace of mind.



Attention to detail during installation ensures that your stairlift is fitted precisely to your staircase, and takes up the minimum amount of space.

Professionalism and Care

From the moment your Brooks Stairlift is installed, we want to ensure that you are happy with it and confident in its use.

An expertly trained engineer will first carefully assess your needs and ensure that your chosen stairlift solution is both suitable and affordable.

Precision manufactured, designed and assembled in the UK, your stairlift will be fitted by a fully trained installation engineer, with all work conforming to the highest Safety Standards.

After thoroughly checking that everything works just as it should, all the features will be fully explained and demonstrated to you to ensure that you are happy and confident in using the stairlift.

We are sure that you will enjoy peace of mind in knowing that you have been looked after every step of the way.

*"From start to finish the service was first class.
I no longer have to think about going upstairs, I just do it."*

Mrs Whelham, Hertfordshire



Brooks continually invest in UK manufacturing facilities enabling them to deliver quality and reliability to every customer.



A safety belt is fitted to all Brooks Stairlifts so you feel secure at all times.



Safety sensors on the footrest and carriage stop the lift automatically and very gently should there be any obstruction on your staircase.



Directional paddle switches give you complete control. They can be operated easily should you have limited dexterity.



A lockable swivel seat means you can get on and off your stairlift without twisting your body. Once turned it also provides a stable base and safety barrier at the top of your stairs.



A simple digital display allows you to see the exact status of the stairlift at all times.



Two remote controls are provided so that you have the convenience of being able to call or send the lift up or down the staircase.



A lockable on/off switch provides additional "child friendly" safety.



Slim fold away design has folding arms, seat and footrest so other people in your home can continue to use the staircase as normal.

Features, Benefits and Options

If you have problems with your knees, or would prefer to stand rather than sit, there are alternative Brooks Stairlifts that may be more suited to your needs.



Outdoor Lift*

Fully weather-proofed, ideal for outdoor use. With all of the same features and options as the Brooks Straight. Supplied with a durable waterproof cover for extra protection.



Hinged Rail

In situations where there may be an obstruction at the foot of the staircase (usually a door), or where the stairlift could cause a tripping hazard, a hinged rail is required to 'fold back' away from the obstruction when the stairlift is not in use.

Brooks Sit / Stand*

Designed for multiple users with different requirements, the Brooks Sit/Stand Stairlift allows the user to either sit or stand depending on the user's choice.

Brooks Perch*

Designed for users who have trouble bending at the knee, the Brooks Perch Stairlift still allows the user to travel in safety and comfort. The perch is also perfect for narrow staircases.

* Only available on the Brooks Straight



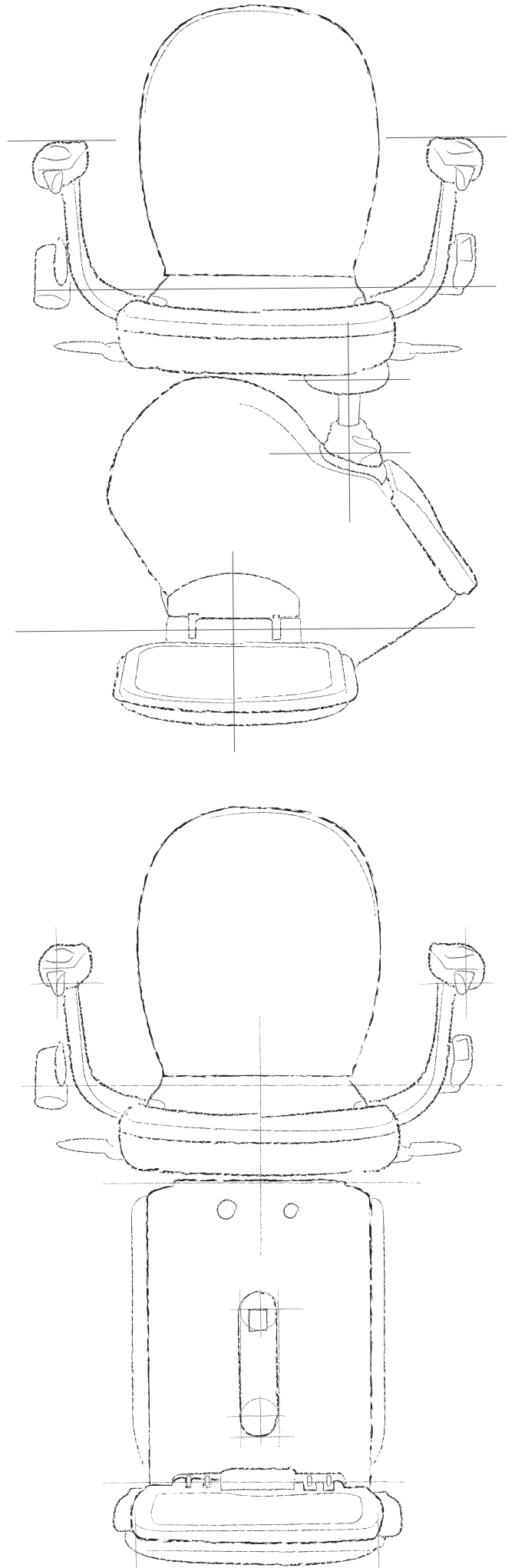
The Swivel Seat means that there is no need to twist awkwardly when rising from the stairlift at the top of the stairs and acts as a safety barrier.



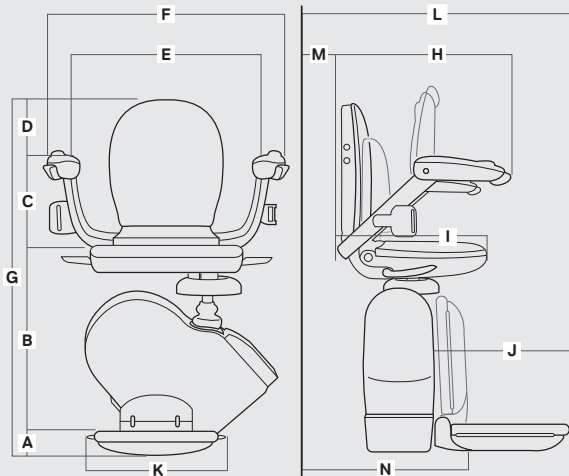
Brooks Stairlifts are designed to suit your individual home and lifestyle, and include space saving features such as 180° parking bends at the top of the staircase.

Here are just a few of the features which make Brooks Stairlifts the perfect solution for your needs.

- ✓ **Slimline design** to fit into your home's surroundings
- ✓ **Ergonomic controls** for ease of use
- ✓ **Runs on maintenance-free rechargeable batteries** works even in a power cut
- ✓ **Numerical fault code display** for easy diagnostic and repair guidance
- ✓ **Safety cut-out sensors on carriage and footrest** in case of an obstruction on the staircase
- ✓ **No unsightly structural work required** fits directly to your stair treads rather than the wall



Brooks Straight Specifications



Dimensions

	mm	inch
A Floor to top of footrest	85	3½
B Top of footrest to top of seat	455	18
C Top of seat to top of arms	250	10
D Top of arms to top of seat back	250	10
E Width between armrests (wide arm version)	445 (495)	17½ (19½)
F Overall width	620	24½
G Overall height	975	38½
H Length of arms from seat back	470	18½
I Length of seat base from seat back	425	16¾
J Length of footrest	325	12¾
K Width of footrest	310	12¼
L Front of footrest to stringer	546	21½
M Back of seat to stringer	13	½
N Folded depth	280	11

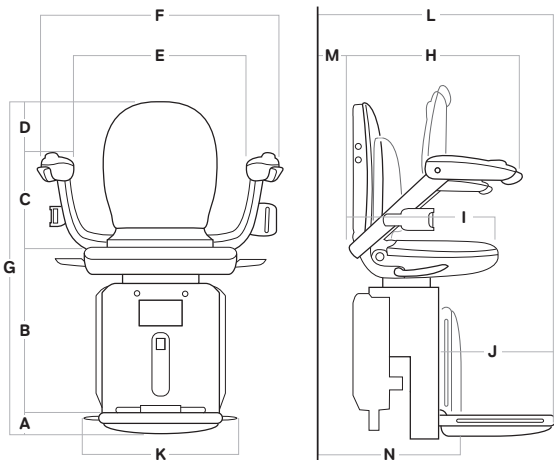
Specifications

Motor Output Speed	No greater than 0.15 m/s
Method of Drive	Rack and Pinion
Power Supply	24V DC (battery)
Maximum Capacity	127kgs
Track Extruded	Aluminium
Mains Supply	230 - 240V AC 50Hz

Measurements are only a guide and subject to site and client survey.



Brooks Curved Specifications



Dimensions

	mm	inch
A Floor to top of footrest	50	2
B Top of footrest to top of seat	485	19¼
C Top of seat to top of arms	250	10
D Top of arms to top of seat back	200	8
E Width between armrests	480	19
F Overall width including seatbelt	620	24½
G Overall height	980	38½
H Length of arms from seat back	470	18½
I Length of seat base from seat back	425	16¾
J Length of footrest	360	14
K Width of footrest	375	14¾
L Front of footrest to stringer	640	25¼
M Back of seat to stringer	55	2
N Folded depth	335	13

Specifications

Motor Output Speed	No greater than 0.15 m/s
Method of Drive	Rack and Pinion
Power Supply	24V DC (battery)
Maximum Capacity	120kgs
Track Extruded	Aluminium
Mains Supply	110 - 230V AC 47 - 63Hz

Measurements are only a guide and subject to site and client survey.





The Brooks Curved Stairlift can park at the top of the landing safely out of the way and neatly folds up giving easy access to adjoining rooms.



The modular rail enables the Brooks Curved Stairlift to follow the contour of your staircase closely, even around bends.



*"We love the freedom and independence
our Brooks Stairlift gives us"*

Mr and Mrs Burrows, Grassington



Brooks Stairlifts Ltd.

Telecom House · Millennium Business Park
Station Road · Steeton · West Yorkshire · BD20 6RB

All materials copyright © 2013 Brooks Stairlifts Ltd. All rights reserved.

No part of this material may be used for any purpose without prior written permission. Use without permission is expressly prohibited by law, and may result in civil and criminal penalties. Photographs and diagrams are used for illustrative purposes only. All information including dimensions, specifications and prices are correct at the time of printing and are subject to change.

Registered in England No. 1042173

For more information or to arrange a visit from
a representative, please contact:



Stairlifts Today

01622-756128 / 07905-182363

Web : www.stairliftstoday.co.uk

E-mail : info@stairliftstoday.co.uk

5352/BRBR/0613